

MZF-A series

Split Intelligent Laser Marking Machine

Average output power:

20W / 30W



Cost-Effective



Light and Portable

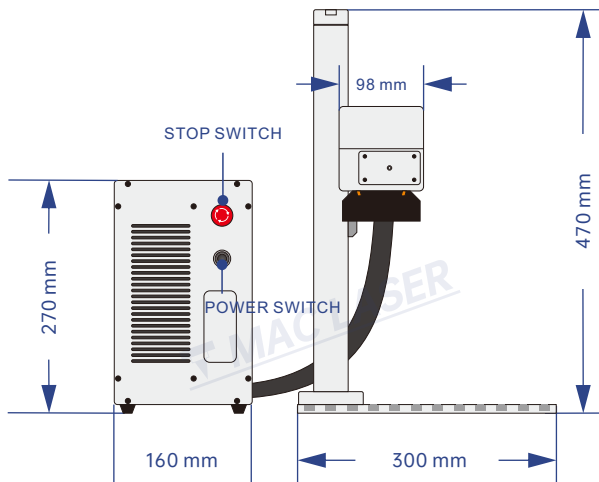


PRODUCT DESCRIPTION

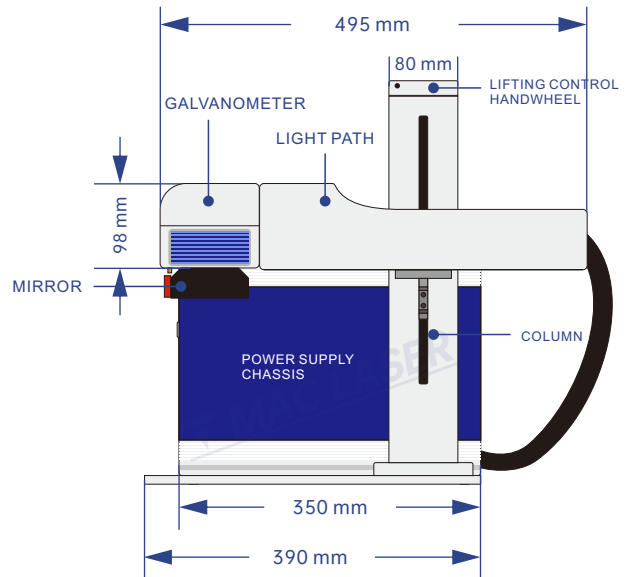
The MZF-A series split intelligent laser marking machine belongs to the desktop fiber laser marking equipment. This model has a simple structure and a modular design, which has better stability and longer life. The equipment has the advantages of economical and affordable, cost-effective (standard does not include a computer, optional), the whole machine weighs only 20kg, it's simple and small and easy to move.

The MZF-A series products use a 1064nm wavelength fiber laser source, which is suitable for various metal materials such as iron, copper, aluminum, gold, silver and some non-metal materials such as PC, ABS, PVC, and PC+ABS. It is widely used in 3C, auto parts, electronic components, integrated circuits (PC), electrical appliances, precision equipment, hardware products, building materials, and other industries.

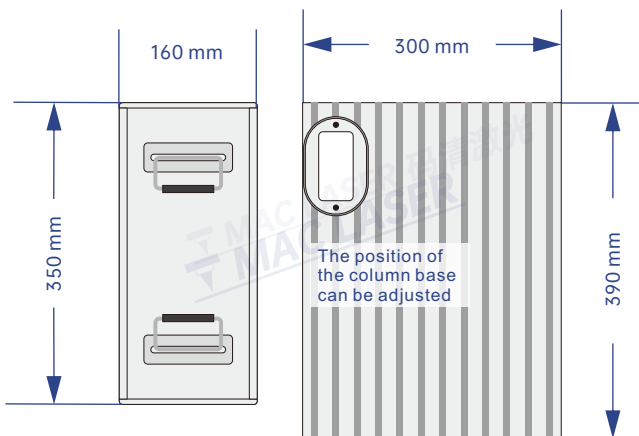
PRODUCT SIZE



FRONT VIEW



END VIEW



VERTICAL VIEW



EQUIPMENT REAL SHOTS

PRODUCT SIZE

Ship-shaped screw reinforcement

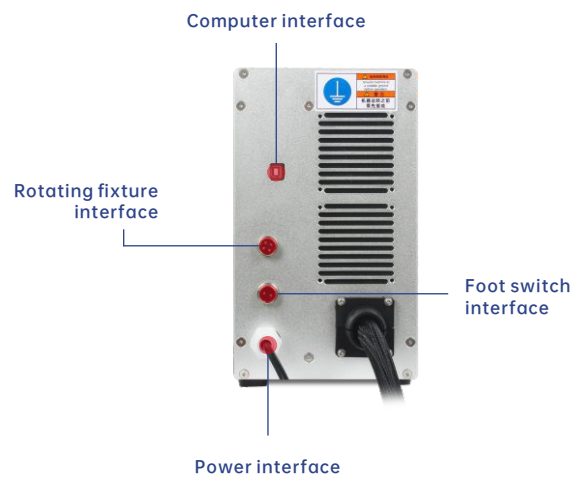
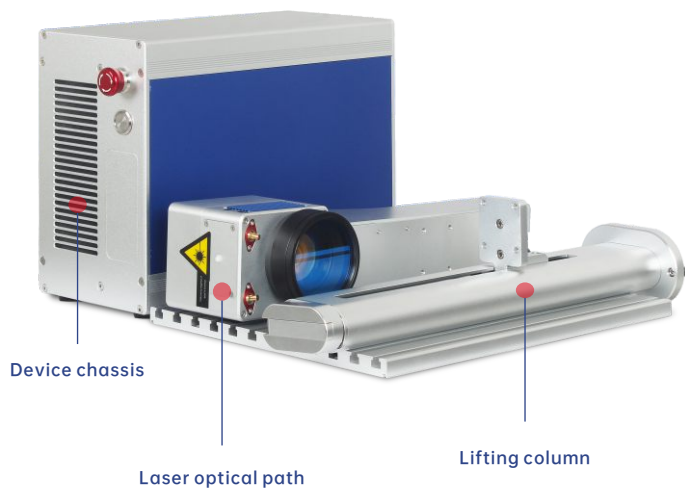


Install in different positions according to your actual situation which can be flexibly changed

Hexagon screw reinforcement-M6



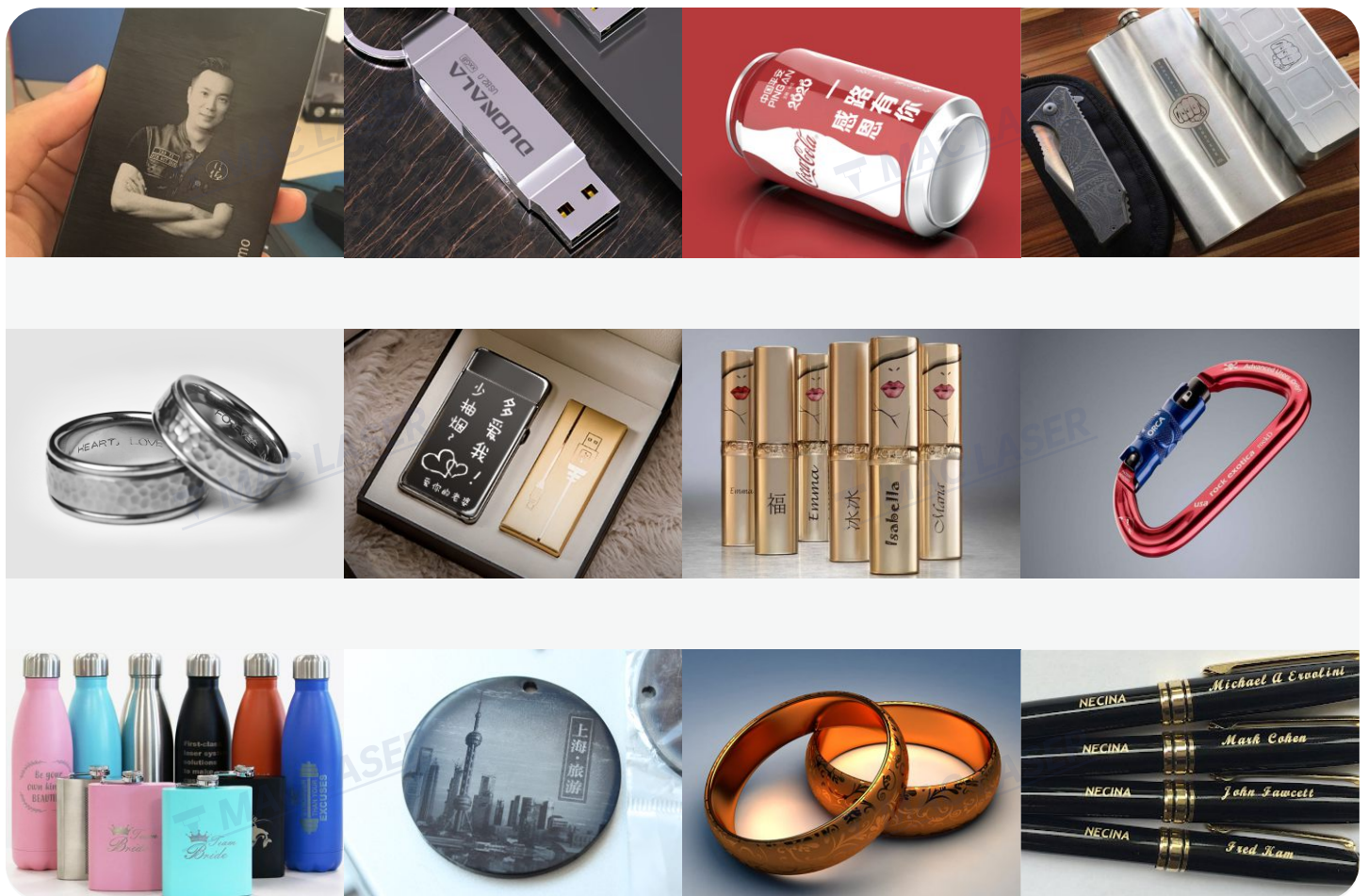
Use tool #4



SCOPE OF APPLICATION



MARKING EFFECT

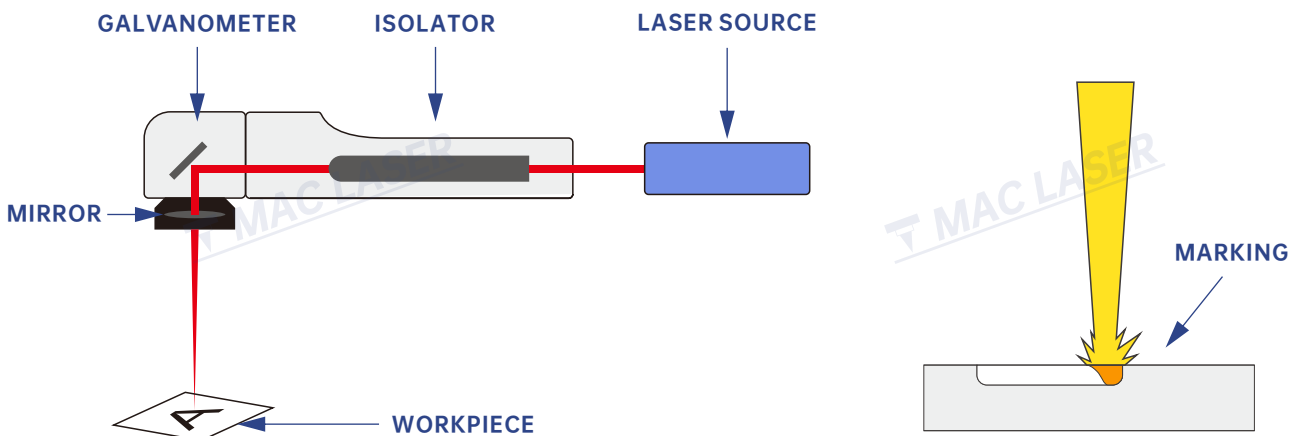


PRODUCT PARAMETER

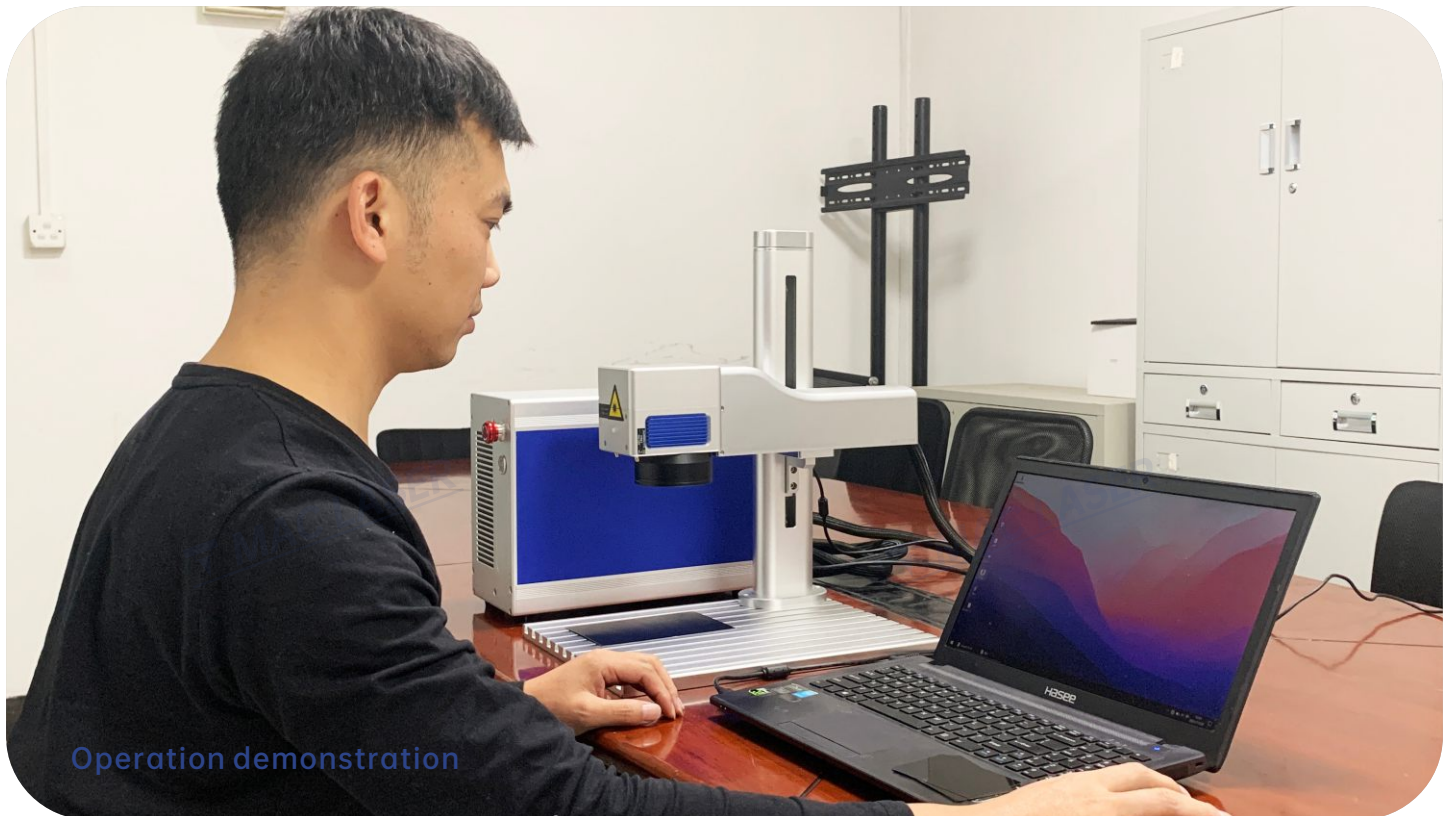
Model series		Intelligent mini laser marking machine	
Model		MZF-20D	MZF-30D
Laser parameters	Laser source model	MFP-20X/20QS	MFP-30X/30QS
	Output Power	18.5/20W	30W
	Beam quality M ²	≤1.4	≤1.4
	Pulse repetition frequency	27-60 kHz	30-60 kHz
	Laser wavelength	1064±5 nm	
	Output power stability	< 3%	
	Working life	About 100,000 working hours (non-lifetime)	
Optical properties	Marking range	100~150mm (range optional)	
	Engraving depth	≤1mm (depending on power and time)	
	Engraving speed	≤10000mm/s	
	Repeat accuracy	±0.002	
	Minimum marking line width	0.1mm	
	Minimum character height	0.15mm	
Use environment	Cooling way	Built-in air cooling	
	System power supply	500W / 220V / 50Hz (110V can be connected)	
	Temperature humidity	0~40°, 30% RH 85%, air conditioner should be installed when used outside the range	
	Oil mist, condensation	Not allowed	
Other parameters	Support system	Windows operating system	
	Dimensions	390X210X615 mm	
	Packing size	680X5500X270 mm	
	Total Weight	About 20kg	

LASER PRINCIPLE

The marking is directly hit on the surface with the help of a strong pulsed laser beam to produce extremely deep, high-contrast markings on the surface, achieving permanent markings with uniform viewing angles, and corrosion resistance.



PRODUCT ADVANTAGES



Operation demonstration

1. 100% portable

- The whole machine weighs only about 20KG, it's small, compact and light, it is very convenient to carry
- The column and beam path can be disassembled and packed at will, it's easy to install and easy to store
- The position of the column can be adjusted freely on the marking table, which can be flexible and changeable

2. Cost-effective

- Affordable and economical models with performance comparable to desktop computers and higher cost performance
- Integrated design, firm structure, stable performance, convenient after-sales
- Desktop operation, small footprint, not limited by space

3. High-quality light source

- Using advanced fiber laser, the output beam quality is good, the reliability is high;
- No consumables and maintenance-free, working life is about 100,000 hours;
- It can be flexibly applied to metallic materials and some non-metallic materials.

PRODUCT CHARACTERISTICS



SMALL AND FLEXIBLE, DIVERSIFIED APPLICATIONS

Desktop optical fiber marking equipment, a special product specially developed for the needs of simple, compact, flexible and convenient equipment

SIMPLE AND FIRM STRUCTURE, ONE YEAR WARRANTY

The whole machine has simple structure, compact and firm, stable performance and guaranteed. We promise the whole machine to be guaranteed for one year



THE WHOLE WEIGHT IS ABOUT 20KG, LIGHT AND PORTABLE

The whole machine weighs only 20kg, it's simple and small and easy to carry and easy to carry

COLUMN BEAM PATH CAN BE FLEXIBLY DISASSEMBLED

The beam path and the column can be flexibly disassembled, the marking position can be arranged as you want, the storage is more convenient; the disassembly and assembly are simple, it only need to loosen the screws to disassemble and assemble



PRODUCT CHARACTERISTICS

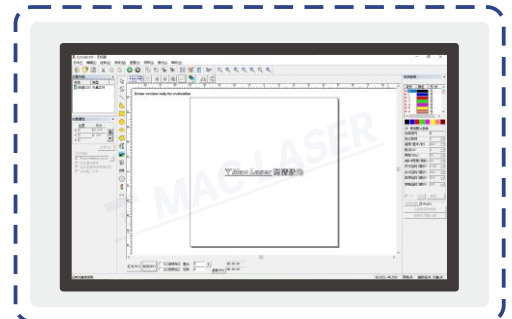


ADVANCED FIBER LASER SOURCE

Using high-quality light source, the spot quality is good, the optical power density is uniform, the output optical power is stable, it has the characteristics of no light leakage, anti-high reflection, etc., which meets the mainstream market application requirements .

POWERFUL MARKING SOFTWARE

The control system is powerful, it can optimize a variety of data according to different processes and support multi-language one-key switching, it meets the application process requirements of most industries in the market .



DOUBLE RED LIGHT METAL GALVANOMETER

Metal body structure, built-in dual red light marking instructions, with the advantages of adjustment-free, maintenance-free, and high stability, it can be upgraded with high-speed digital scanning galvanometer.

WIDE APPLICATION, GOOD MARKING EFFECT

Suitable for various metal materials such as iron, copper, aluminum, gold, silver, and some plastic materials, with clear markings and good marking effects

