

MZF-D series

Intelligent fiber laser marking machine

Average output power:

20W / 30W



Economical and
cost-effective



Portable,
mini foldable

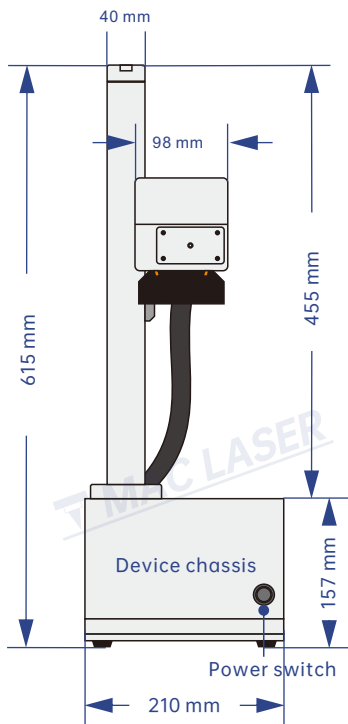


PRODUCT DESCRIPTION

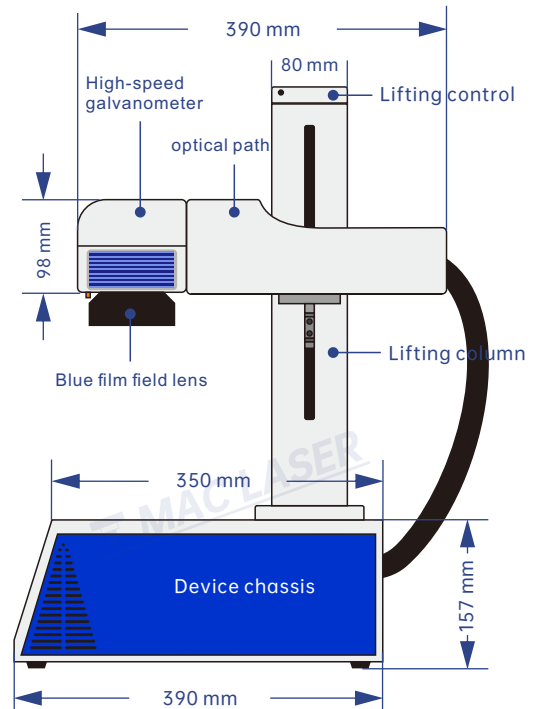
MZF-D series mini laser marking machine belongs to desktop fiber laser marking equipment, which is an economical model specially developed by Mac Laser to meet the needs of simple, compact, flexible and convenient equipment. **This model has the advantages of economical and affordable, high cost performance (computer is not included, you need to configure your own computer to use), the whole machine is small and easy to carry.** It can easily meet most common laser marking applications.

The MZF-D series products use a 1064nm wavelength fiber laser source, which is suitable for various metal materials such as iron, copper and aluminum, gold, silver, and some non-metal materials such as PC, ABS, PVC, and PC+ABS.

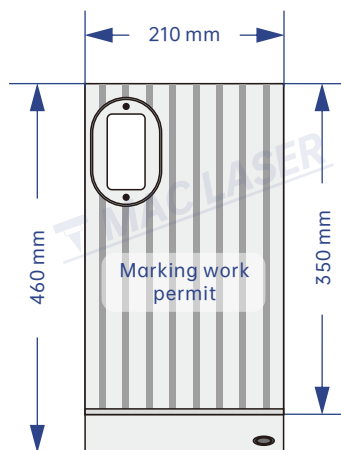
PRODUCT SIZE



FRONT OF THE DEVICE



DEVICE SIDE



EQUIPMENT DESKTOP



EQUIPMENT PHOTOS

DEVICE INSTALLATION

Ship-shaped screw reinforcement

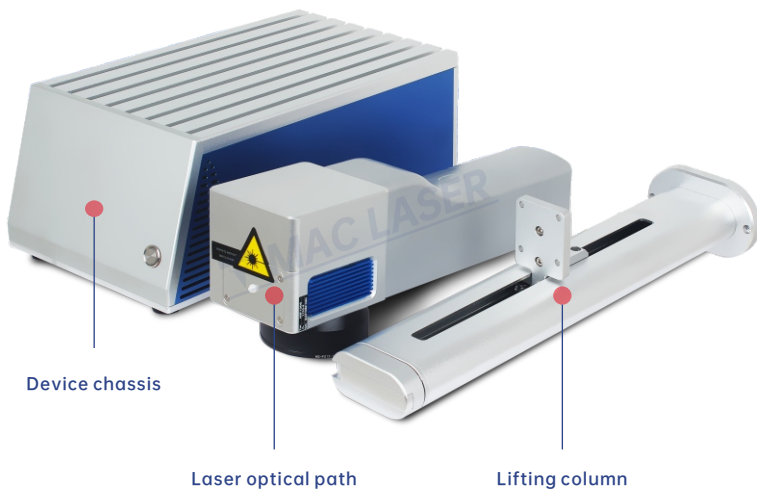
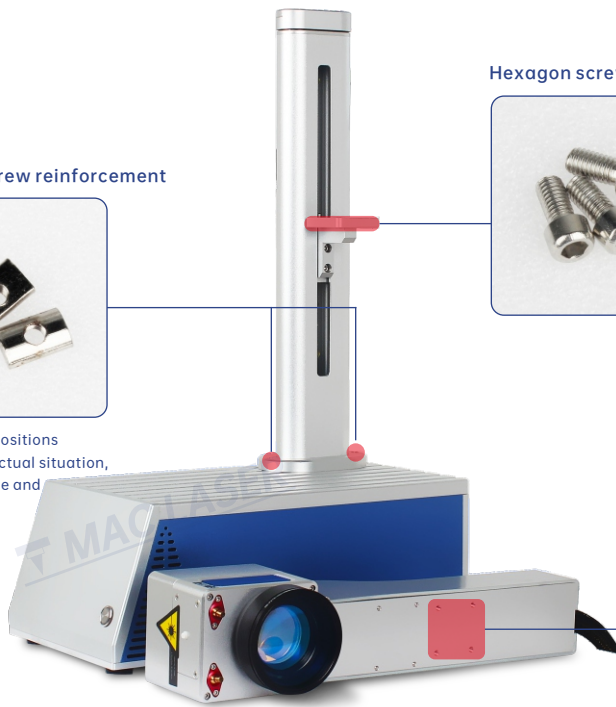
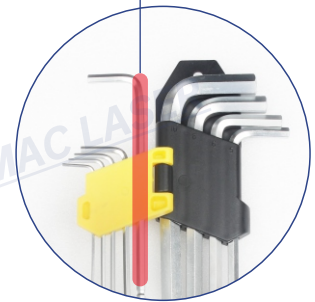


Install in different positions according to your actual situation, which can be flexible and changeable

Hexagon screw reinforcement-M6



Use tool #4



Device chassis

Laser optical path

Lifting column

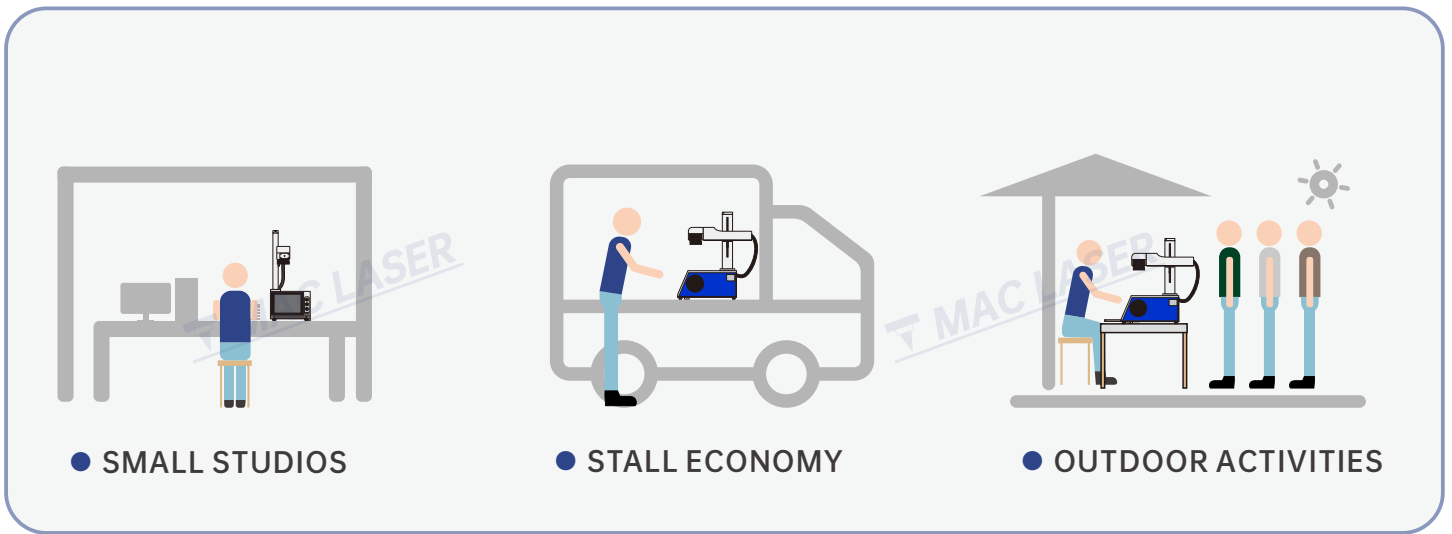
Computer interface



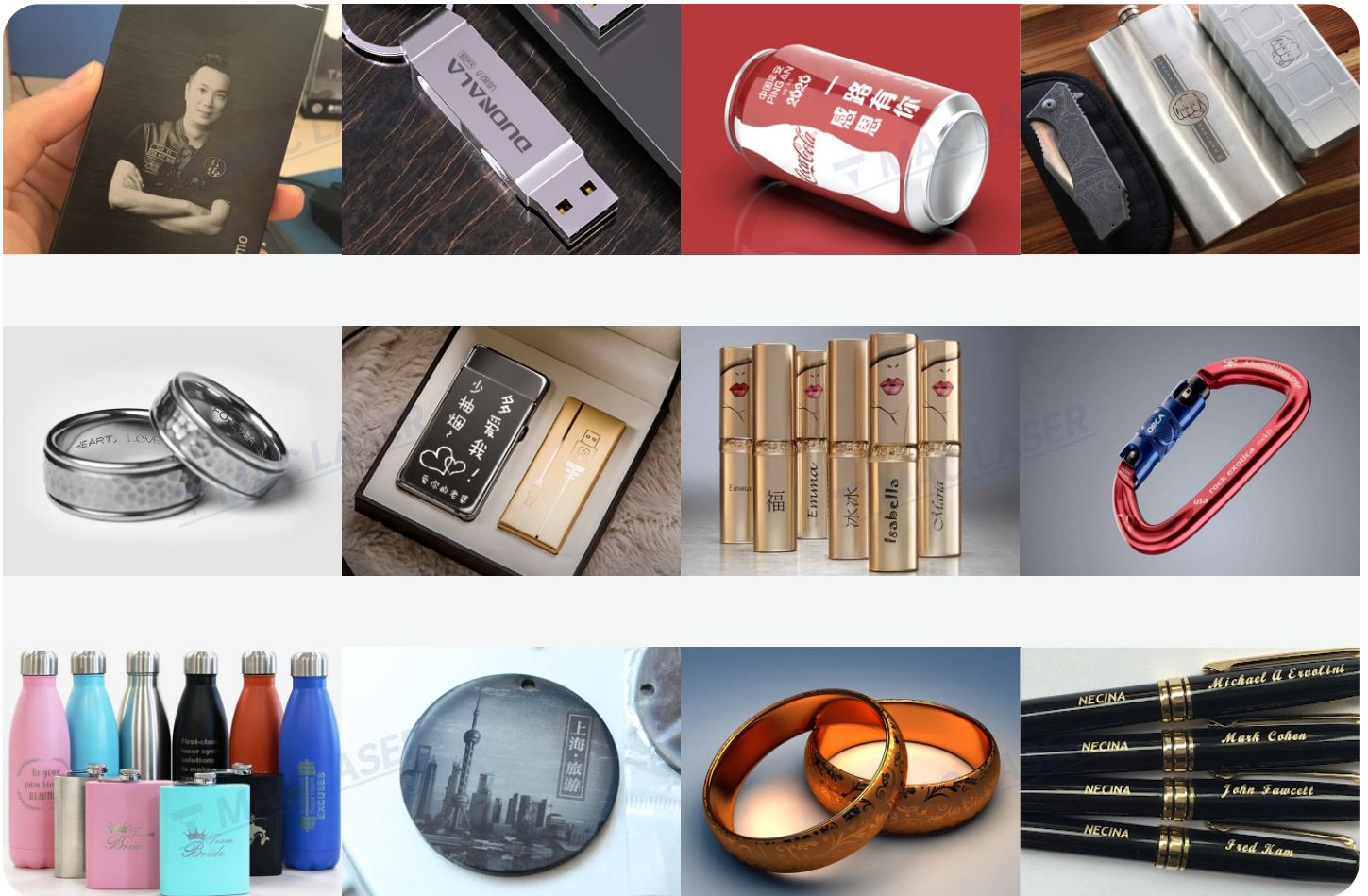
Foot switch interface

Power interface

SCOPE OF APPLICATION



MARKING EFFECT

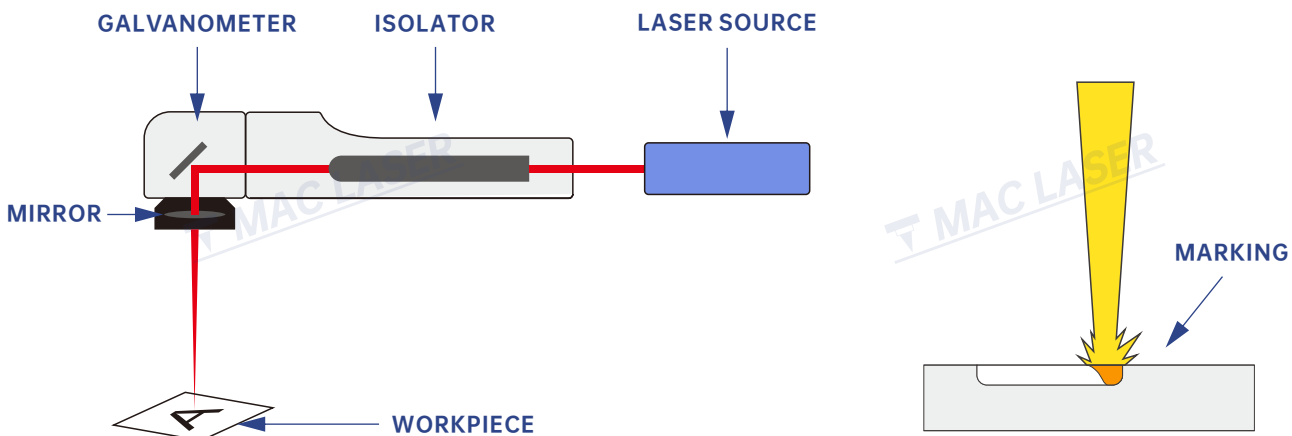


PRODUCT PARAMETER

Model series		Intelligent mini laser marking machine	
Model		MZF-20D	MZF-30D
Laser parameters	Laser source model	MFP-20X/20QS	MFP-30X/30QS
	Output Power	18.5/20W	30W
	Beam quality M ²	≤1.4	≤1.4
	Pulse repetition frequency	27-60 kHz	30-60 kHz
	Laser wavelength	1064±5 nm	
	Output power stability	< 3%	
	Working life	About 100,000 working hours (non-lifetime)	
Optical properties	Marking range	100~150mm (range optional)	
	Engraving depth	≤1mm (depending on power and time)	
	Engraving speed	≤10000mm/s	
	Repeat accuracy	±0.002	
	Minimum marking line width	0.1mm	
	Minimum character height	0.15mm	
Use environment	Cooling way	Built-in air cooling	
	System power supply	500W / 220V / 50Hz (110V can be connected)	
	Temperature humidity	0~40°, 30% RH 85%, air conditioner should be installed when used outside the range	
	Oil mist, condensation	Not allowed	
Other parameters	Support system	Windows operating system	
	Dimensions	390X210X615 mm	
	Packing size	680X5500X270 mm	
	Total Weight	About 20kg	

LASER PRINCIPLE

The marking is directly hit on the surface with the help of a strong pulsed laser beam to produce extremely deep, high-contrast markings on the surface, achieving permanent markings with uniform viewing angles, and corrosion resistance.



PRODUCT ADVANTAGES



1. 100% portable

- The whole machine weighs only about 20KG, it's small, compact and light, it is very convenient to carry;
- The column and beam path can be disassembled and packed at will, it's easy to install and easy to store;
- The position of the column can be adjusted freely on the marking table, which can be flexible and changeable.

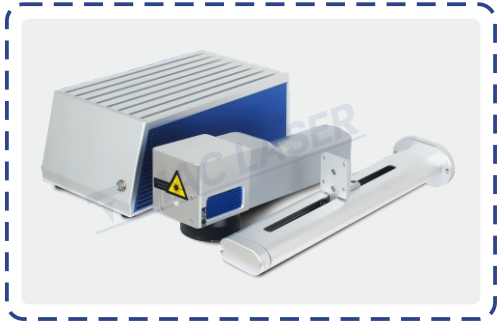
2. Cost-effective

- Affordable and economical models with performance comparable to desktop computers and higher cost performance;
- Integrated design, firm structure, stable performance, convenient after-sales;
- Desktop operation, small footprint, not limited by space.

3. High-quality light source

- Using advanced fiber laser, the output beam quality is good, the reliability is high;
- No consumables and maintenance-free, working life is about 100,000 hours;
- It can be flexibly applied to metallic materials and some non-metallic materials.

PRODUCT CHARACTERISTICS



**AFFORDABLE ECONOMICAL MODEL,
HIGH COST PERFORMANCE**

Desktop optical fiber laser marking equipment, a special product specially developed for the needs of simple, compact, flexible and convenient equipment.

**SMALL AND FLEXIBLE,
DIVERSIFIED APPLICATIONS**

The whole machine weighs only about 20KG, it's small, compact and light model and very convenient to carry, it can be switched to any use scene at any time.

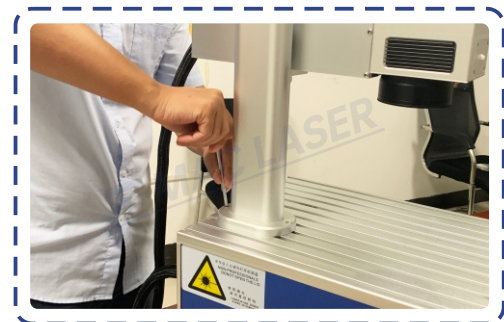


**COMPACT AND STURDY STRUCTURE,
ONE YEAR WARRANTY**

One-piece integrated design, novel style, compact and firm structure, stable performance and guaranteed, we promise the whole machine warranty for one year.

**COLUMN BEAM PATH CAN BE
FLEXIBLY DISASSEMBLED**

The beam path and the column can be flexibly disassembled, the marking position can be arranged as you want, the storage is more convenient; the disassembly and assembly are simple, it only need to loosen the screws to disassemble and assemble .



PRODUCT CHARACTERISTICS

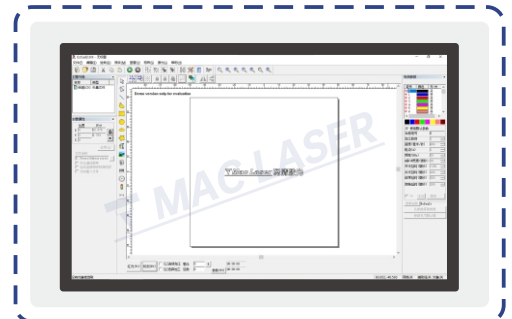


ADVANCED FIBER LASER SOURCE

Using high-quality light source, the spot quality is good, the optical power density is uniform, the output optical power is stable, it has the characteristics of no light leakage, anti-high reflection, etc., which meets the mainstream market application requirements .

POWERFUL MARKING SOFTWARE

The control system is powerful, it can optimize a variety of data according to different processes and support multi-language one-key switching, it meets the application process requirements of most industries in the market .



DOUBLE RED LIGHT METAL GALVANOMETER

Metal body structure, built-in dual red light marking instructions, with the advantages of adjustment-free, maintenance-free, and high stability, it can be upgraded with high-speed digital scanning galvanometer.

RETRACTABLE ROTARY LIFT

It adopts manual rotary docking control, the design is simple and beautiful, it's easy to operate and can be stored.

